



General Notes for Energy Only Street Lighting

Notes:

1. Per tariff, customer will be charged for connection and disconnection.
2. The customer will install ownership identification on all Energy Only poles. The identification will be EO____ (four digit civil division/town code) and assigned by NYSEG/RGE. Location of the identification is as follows:
 - a. NYSEG/RGE owned pole – identification will be placed below the NYSEG/RGE pole identification.
 - b. Customer owned pole – identification will be placed at eye level.
3. The customer shall identify the lamp per ANSI standard C136.15-2009.
4. The NYSEG/RGE approved in-line disconnects are:
 - a. Homac SLK-3A (#14 - #6 str or solid wire)
 - b. Homac SLK-M (#12 - #4 str or solid wire)
5. Conduit shall be rigid galvanized steel or Schedule 80 PVC.
6. Customer to have all work performed by qualified workers following OSHA regulations, the National Electric Safety Code, Company specifications and local electrical codes.

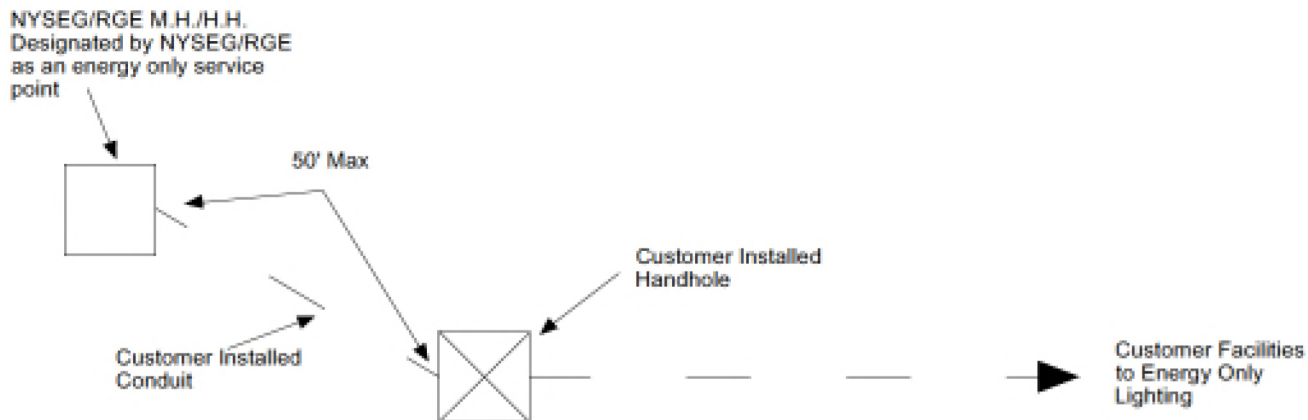
CADD Drawing; DO NOT REVISE MANUALLY.

REVISED										ENERGY ONLY STREET LIGHTING		
REVISED	1	05/28/15	JPY						GPA			
ORIGINAL	0	07/28/14	GPJ						MVR			
	REV.	DATE	DGN.	BY	ENG.	RVW.	APP.	DESCRIPTION				
 		ELECTRICAL DISTRIBUTION CONSTRUCTION STANDARDS							MACRO		STANDARD NO. TM 2.23.STLT-001	

Underground Supplied Fixture From an Underground Service Point

1. The customer will install a pull box within 50' of NYSEG/RGE's manhole, handhole or padmount designated as the point of service.
2. The customer will extend a conduit from the pullbox to NYSEG's/RGE's M.H./H.H./PM. NYSEG/RGE will break into and seal conduit entrance into NYSEG/RGE M.H./H.H./PM.
3. Customer will supply a 200 lb. nylon pull cord for pulling supply conductors into NYSEG/RGE M.H./H.H./PM. NYSEG/RGE will assist with the entry in M.H./H.H./PM and pull the rope and leave coiled for future cable pull. Refer to note 5 for cable pulling in NYSEG/RGE M.H./H.H./PM.
4. Customer will install a current limiting in-line disconnect device in customer H.H and will supply sufficient length of supply conductors coiled in H.H. to reach center of NYSEG/RGE M.H./H.H./PM. Refer to note 5 for cable pulling in NYSEG/RGE M.H./H.H./PM.
5. NYSEG/RGE will pull supply conductors into NYSEG/RGE M.H./H.H./PM and connect. A solid unbreakable connection will be made between NYSEG/RGE and customer conductors.
6. A tariff option allows a single fixture to be connected directly without a customer H.H. if the pole is within 50' from NYSEG/RGE M.H./H.H./PM and there is sufficient room in base for a current limiting in-line disconnect device and coiled supply conductors.

Note: If the customer elects to install an approved direct buried cable, the cable should be left coiled and protected at the outside wall of NYSEG's/RGE's M.H./H.H./PM.

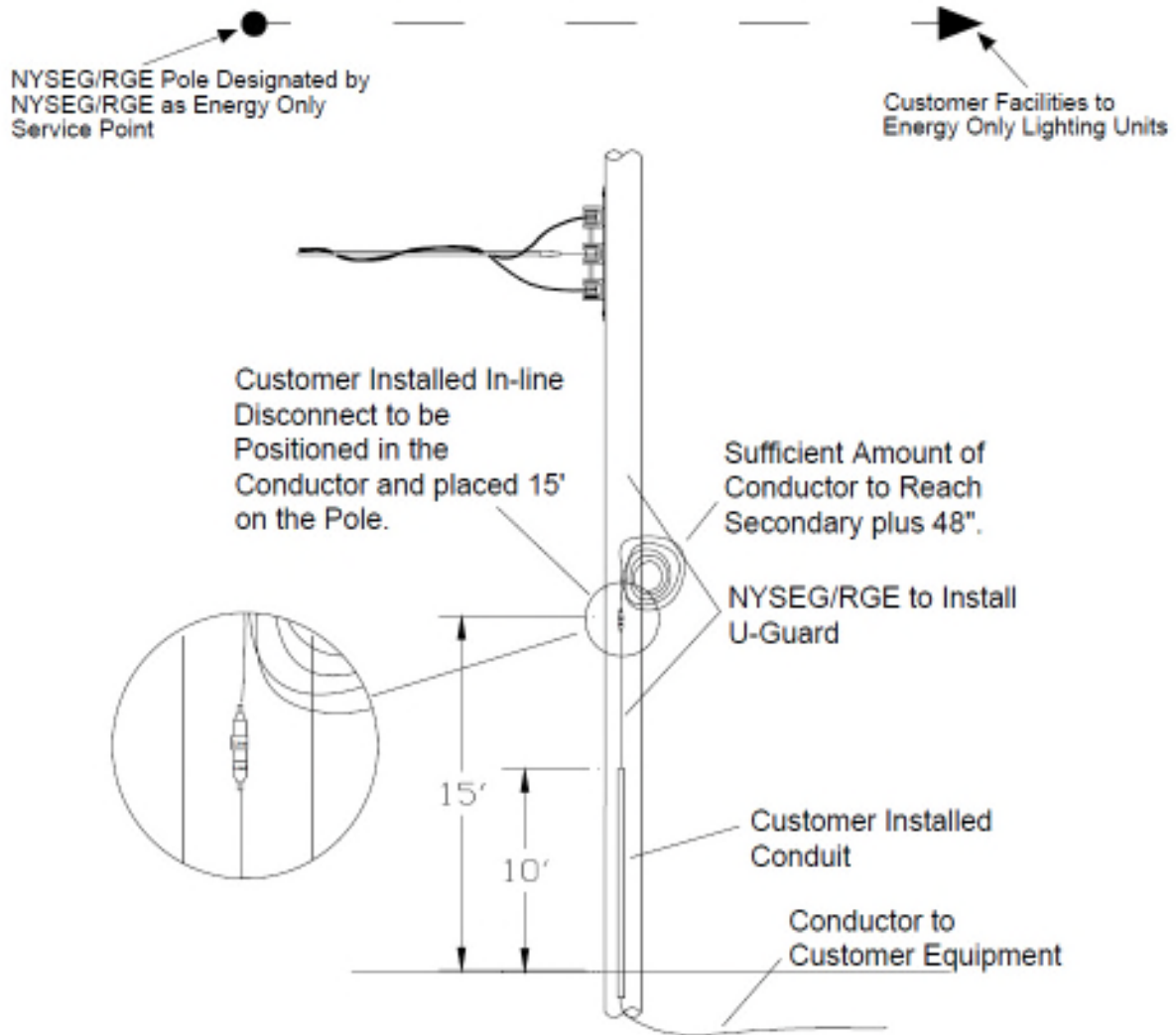


CADD Drawing. DO NOT REVISE MANUALLY.

REVISED										
REVISED	1	05/28/15	JPY					GPA	ENERGY ONLY STREET LIGHTING	
ORIGINAL	0	07/28/14	GPJ				MVR			
	REV.	DATE	DGN.	BY	ENG.	RVW.	APP.	DESCRIPTION		
		ELECTRICAL DISTRIBUTION CONSTRUCTION STANDARDS				MACRO		STANDARD NO. TM 2.23.STLT-002		

Underground Supplied Fixture From an Overhead Service Point

1. Customer will install 10' conduit riser on pole. Metal risers will be installed with appropriate grounds.
2. Location of riser to be directed by NYSEG/RGE.
 - a. Pole identification tags should not be covered.
 - b. Care should be taken to allow room for linemen to climb pole.
3. NYSEG/RGE will make connections to the secondary facility.



CADD Drawing. DO NOT REVISE MANUALLY.

REVISED								
REVISED	1	05/28/15	JPY				GPA	
ORIGINAL	0	07/28/14	GPJ				MVR	
	REV.	DATE	DGN.	BY	ENG.	RVW.	APP.	DESCRIPTION

ENERGY ONLY
STREET LIGHTING

ELECTRICAL DISTRIBUTION
CONSTRUCTION
STANDARDS

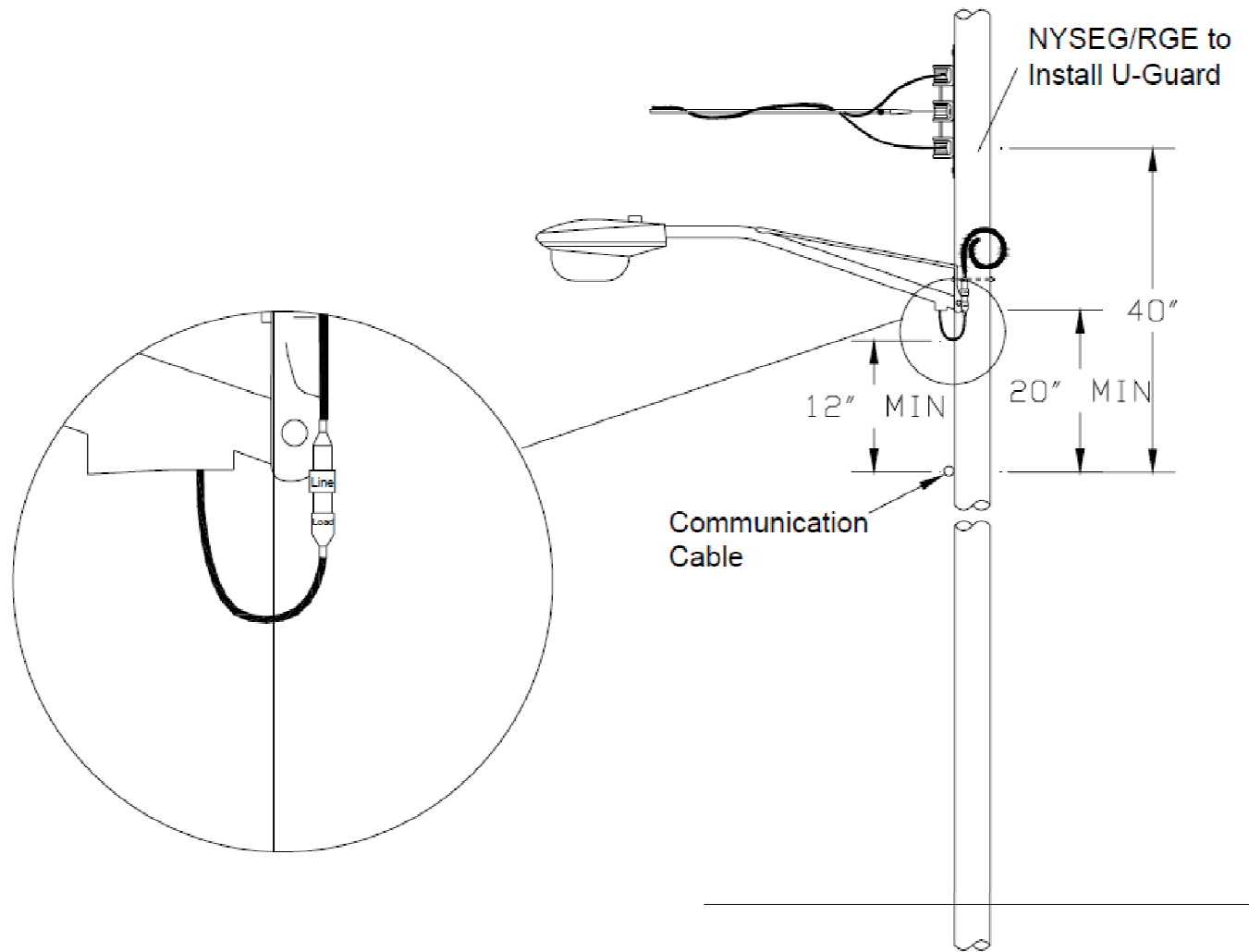
MACRO

STANDARD NO.
TM 2.23.STLT-003



Overhead Supplied Fixture From an Overhead Service Point

1. The customer will install conductors and bonding conductor (#6 copper minimum) of sufficient length plus 48" to reach NYSEG's/RGE's secondary facilities on the pole.
2. The customer will mount the current limiting in-line disconnect device at the bracket pole plate and connect the bonding wire to the bracket.
3. NYSEG/RGE will make connections to the secondary facility.

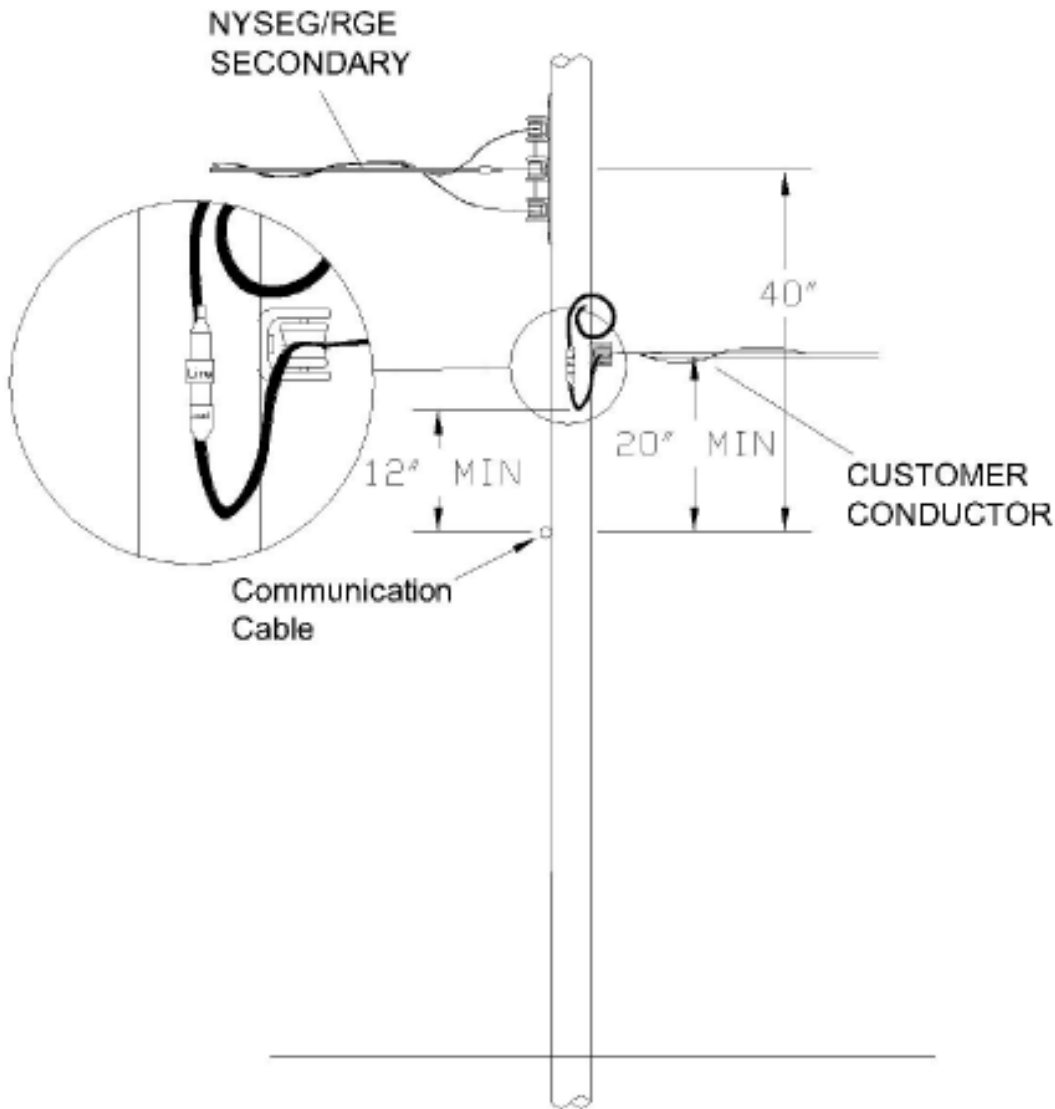


CADD Drawing, DO NOT REVISE MANUALLY.

REVISED										ENERGY ONLY STREET LIGHTING
REVISED	1	05/28/15	JPY					GPA		
ORIGINAL	0	07/28/14	GPJ					MVR		
	REV.	DATE	DGN.	BY	ENG.	RVW.	APP.	DESCRIPTION		
		ELECTRICAL DISTRIBUTION CONSTRUCTION STANDARDS						MACRO	STANDARD NO. TM 2.23.STLT-004	

Customer Installed Overhead Conductor to an Overhead Service Point

1. Customer will bring overhead conductor to NYSEG/RGE service point pole and suspend the conductor from a customer installed clevis or the Company clevis or service rack if permission is given. The conductor will be of sufficient length to reach NYSEG's/RGE's secondary facilities on the pole plus 48". NYSEG/RGE will make the final connection.
2. Customer will include the current limiting in-line disconnect with the conductor.
3. NYSEG/RGE will make connections to the secondary facility.



CADD Drawing. DO NOT REVISE MANUALLY.

REVISED										ENERGY ONLY STREET LIGHTING
REVISED	1	05/28/15	JPY					GPA		
ORIGINAL	0	07/28/14	GPJ					MVR		
	REV.	DATE	DGN.	BY	ENG.	RVW.	APP.	DESCRIPTION		
		ELECTRICAL DISTRIBUTION CONSTRUCTION STANDARDS						MACRO	STANDARD NO. TM 2.23.STLT-005	